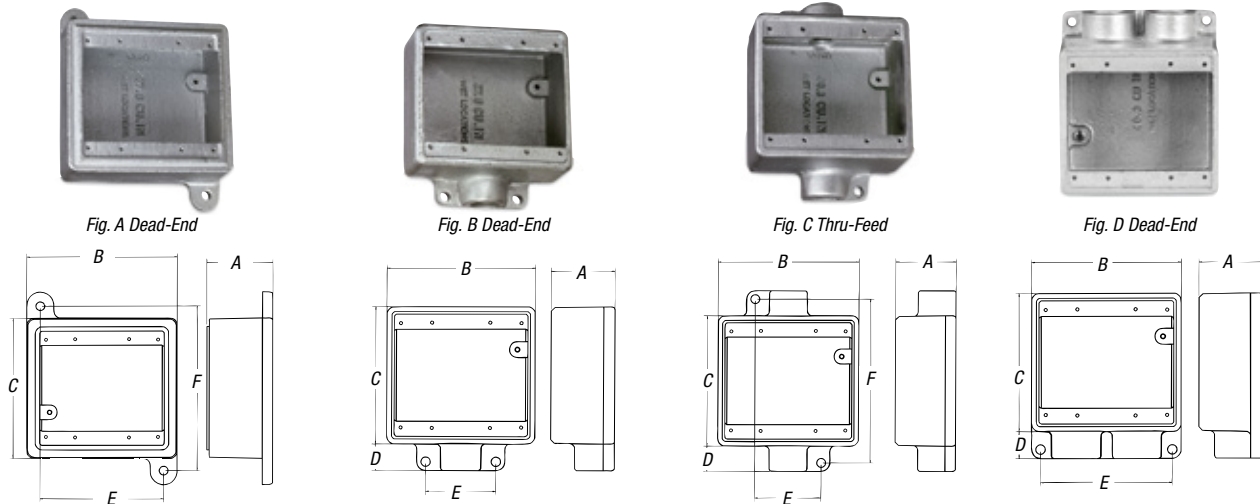


Device Boxes and Covers

Double-Gang Cast Device Boxes



Shallow Double-Gang Cast Device Boxes

CAT. NO.	HUB FIG.	SIZE	DIMENSIONS (IN.)						THROAT DIA.	
			A	B	C	D	E	F	MIN.	MAX.
<i>Dead-End</i>										
FS062-TB	A	Blank	2.00	4.63	4.28	—	4.13	5.50	N/A	N/A
FS12-TB	B	1/2"	2.00	4.63	4.28	.88	2.19	—	.570	.610
FS22-TB	B	3/4"	2.00	4.63	4.28	.88	2.19	—	.755	.810
FS32-TB	B	1"	2.00	4.63	4.28	.88	2.19	—	.935	1.035
<i>Thru-Feed</i>										
FSC12-TB	C	1/2"	2.00	4.63	4.28	.88	2.19	5.38	.570	.610
FSC222-TB	C	3/4"	2.00	4.63	4.28	.88	2.19	5.38	.755	.810
FSC32-TB	C	1"	2.00	4.63	4.28	.88	2.19	5.38	.935	1.035

Deep Double-Gang Cast Device Boxes

CAT. NO.	FIG.	HUB SIZE	DIMENSIONS (IN.)						THROAT DIA.	
			A	B	C	D	E	F	MIN.	MAX.
<i>Dead-End</i>										
FD062-TB	A	Blank	2.81	4.63	4.28	—	4.13	5.50	N/A	N/A
FD12-TB	B	1/2"	2.81	4.63	4.28	.88	2.19	—	.570	.610
FD22-TB	B	3/4"	2.81	4.63	4.28	.88	2.19	—	.755	.810
FD32-TB	B	1"	2.81	4.63	4.28	.88	2.19	—	.935	1.035
<i>Thru-Feed</i>										
FDC12-TB	C	1/2"	2.81	4.63	4.28	.88	2.19	5.38	.570	.610
FDC222-TB	C	3/4"	2.81	4.63	4.28	.88	2.19	5.38	.755	.810
FDC32-TB	C	1"	2.81	4.63	4.28	.88	2.19	5.38	.935	1.035

Double-Gang Cast Device Boxes, Double Hub

CAT. NO.	FIG.	HUB SIZE	DIMENSIONS (IN.)						THROAT DIA.	
			A	B	C	D	E	MIN.	MAX.	
FSS222-TB	D	3/4"	2.00	4.63	4.28	.88	4.06	—	.755	.810
FDS222-TB	D	3/4"	2.81	4.63	4.28	.88	4.06	—	.755	.810